



adh | Max-Planck-Str. 2 | 64807 Dieburg

Ergebnisse

WUC Taekwondo

vom 08. bis zum 14.06.2014

in Hothot (China)



Gefördert durch:



Bundesministerium
des Innern



Bundesministerium
für Bildung
und Forschung



Bundesministerium
für Familie, Senioren, Frauen
und Jugend



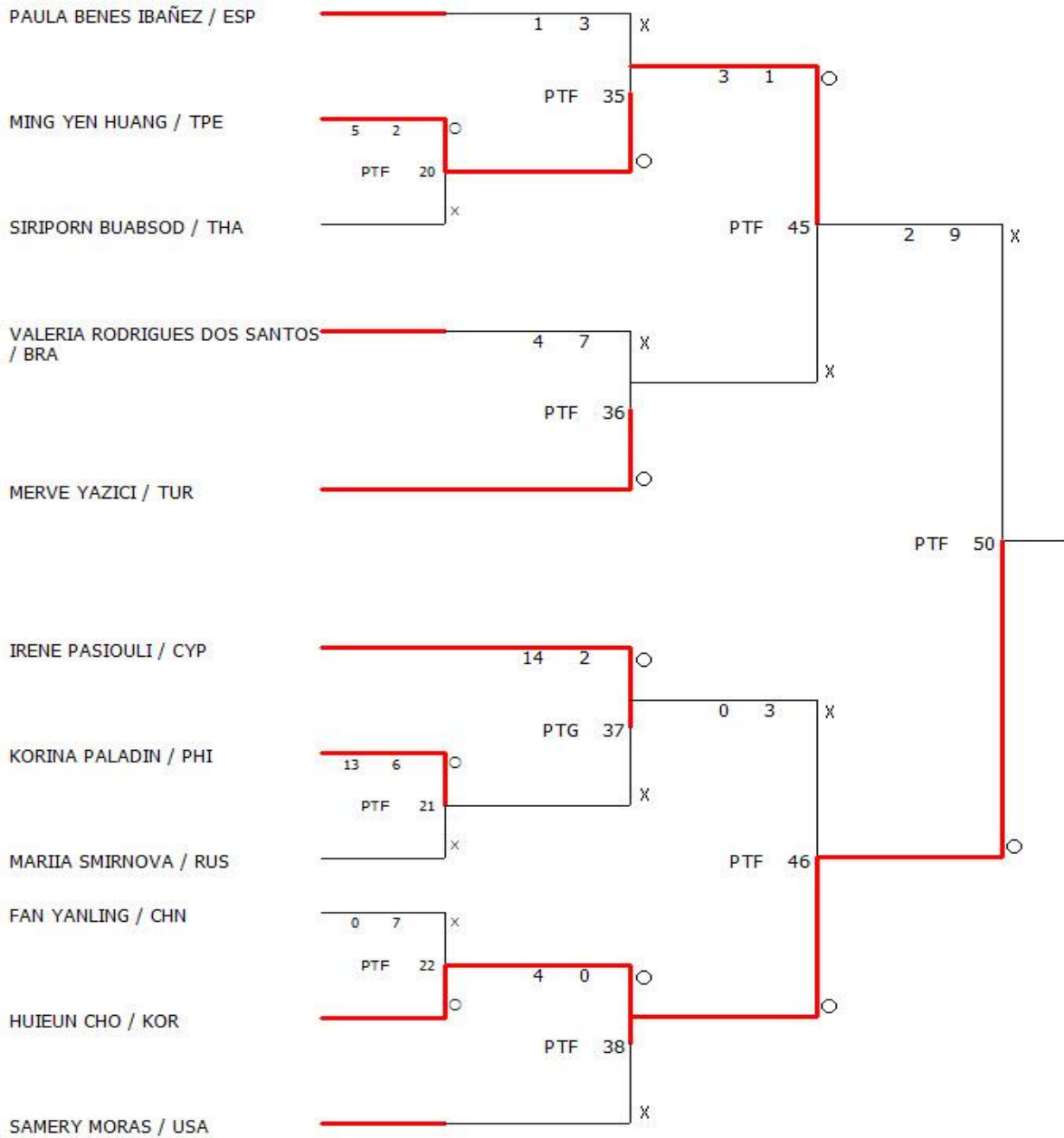
aufgrund eines Beschlusses des Deutschen Bundestages



第十三届世界大学生跆拳道锦标赛

The 13th World University Taekwondo Championships

Female/-46kg

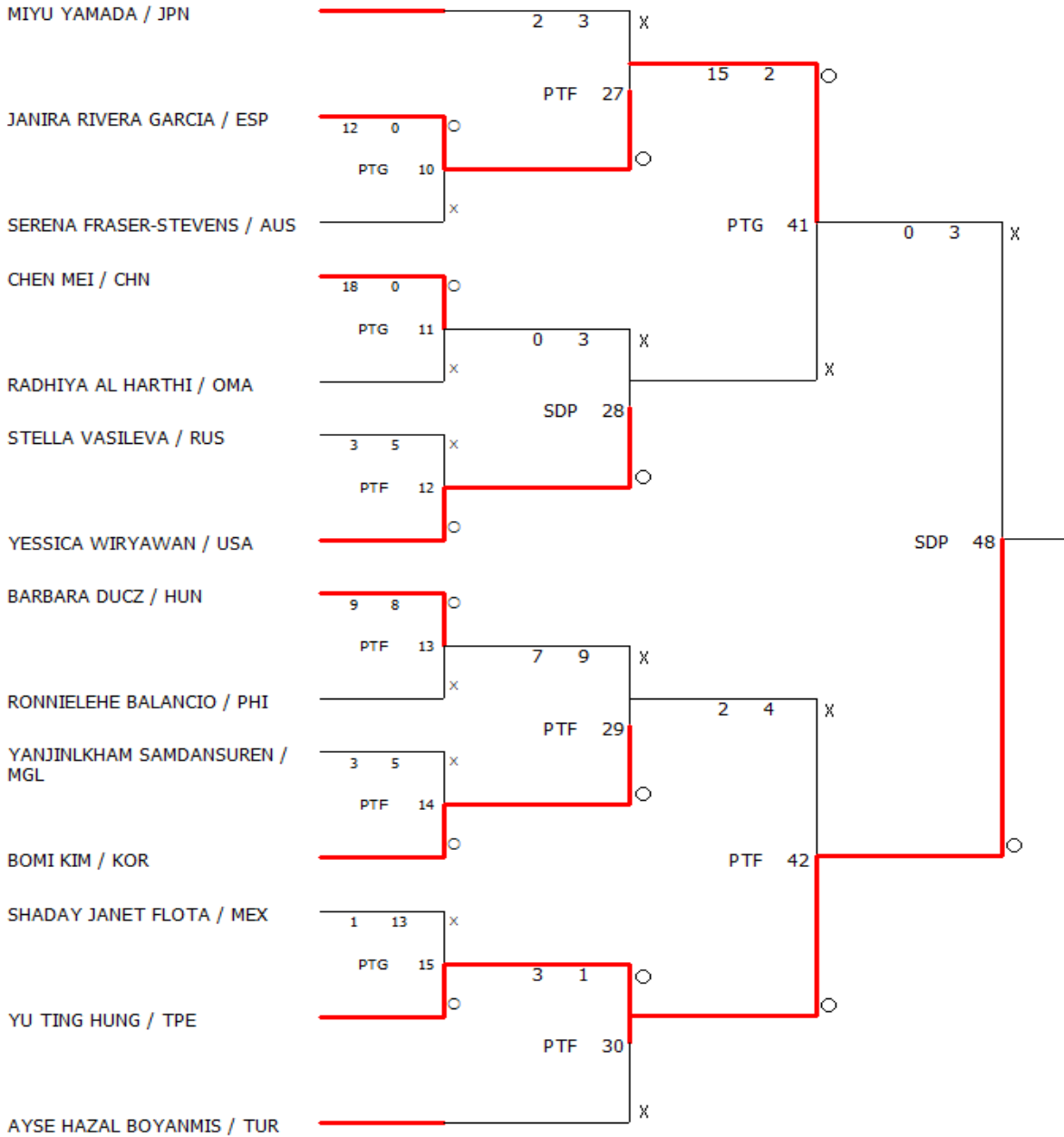


Signature: _____



第十三届世界大学生跆拳道锦标赛

The 13th World University Taekwondo Championships
Female/-49kg



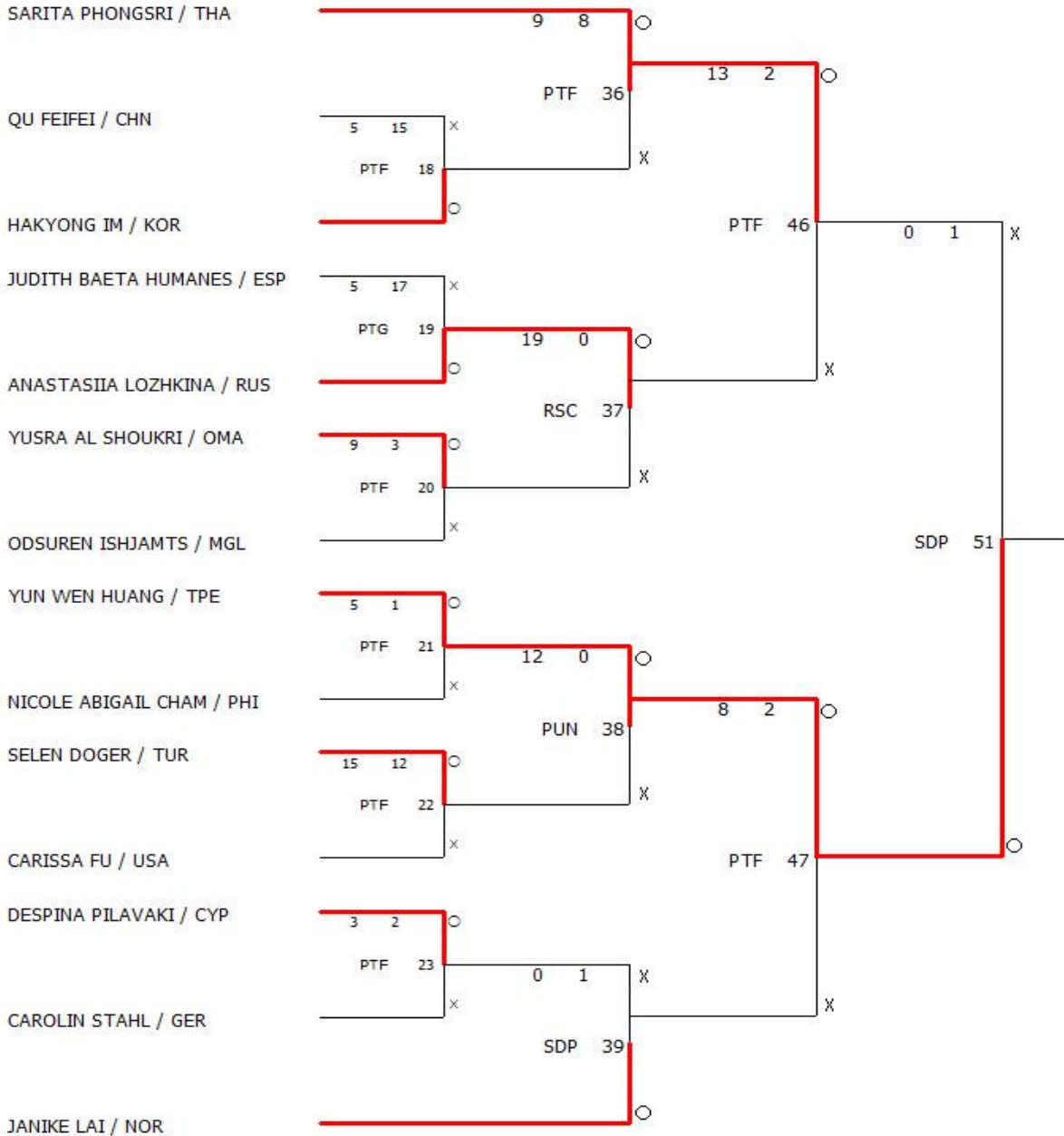
Signature: _____



第十三届世界大学生跆拳道锦标赛

The 13th World University Taekwondo Championships

Female/-53kg

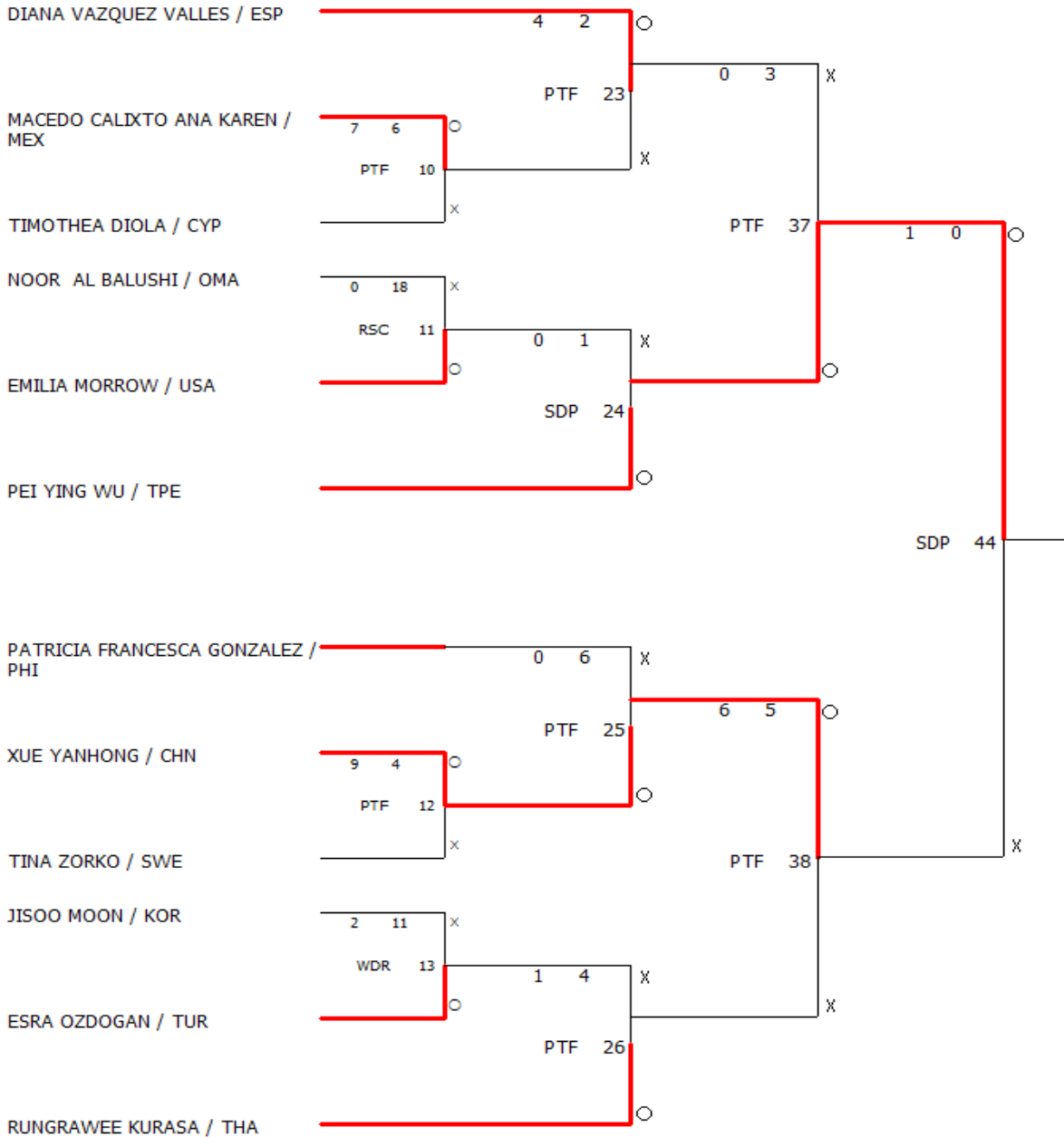


Signature: _____



第十三届世界大学生跆拳道锦标赛

The 13th World University Taekwondo Championships
Female/-62kg

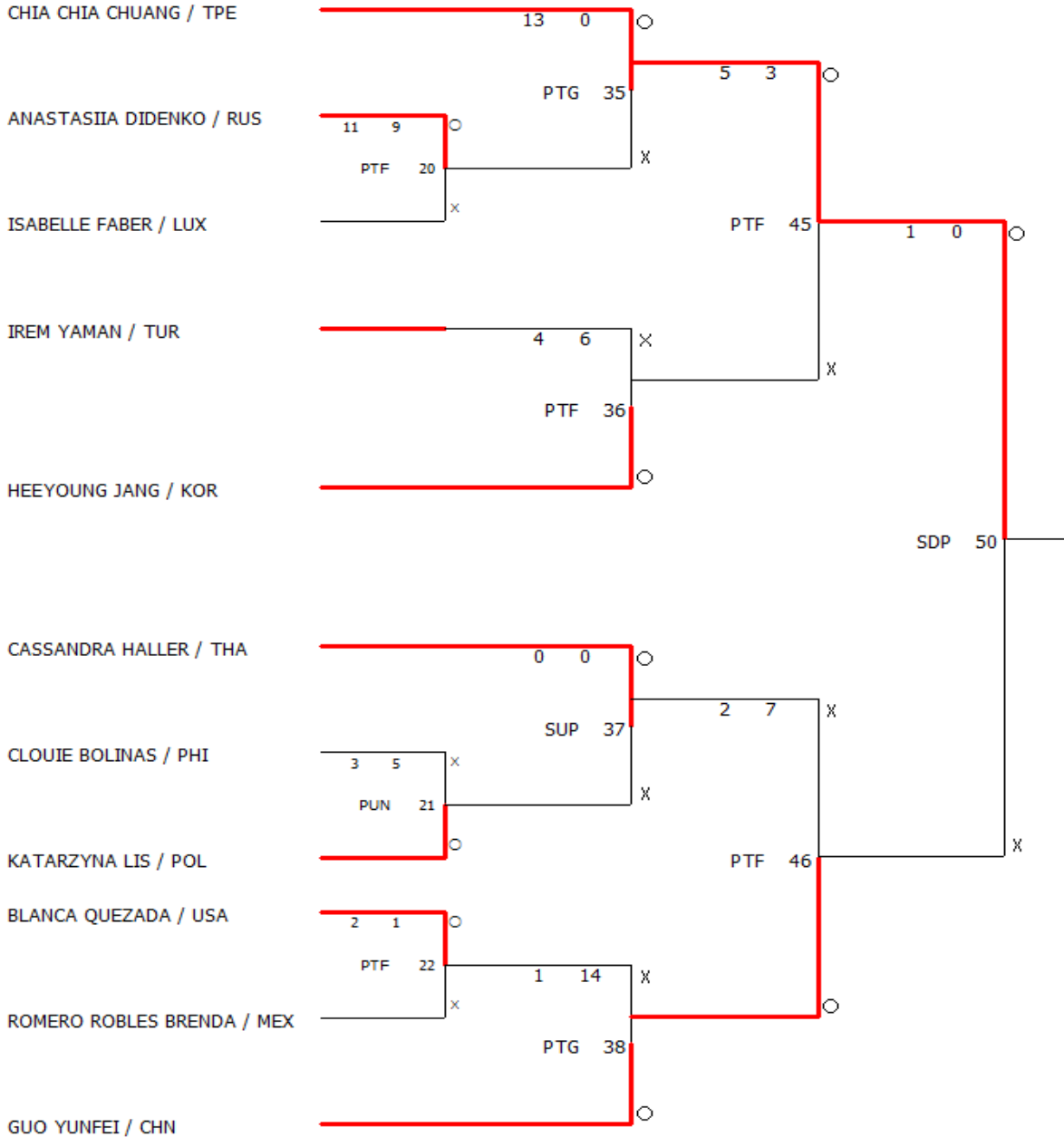


Signature: _____



第十三届世界大学生跆拳道锦标赛

The 13th World University Taekwondo Championships
Female/-67kg

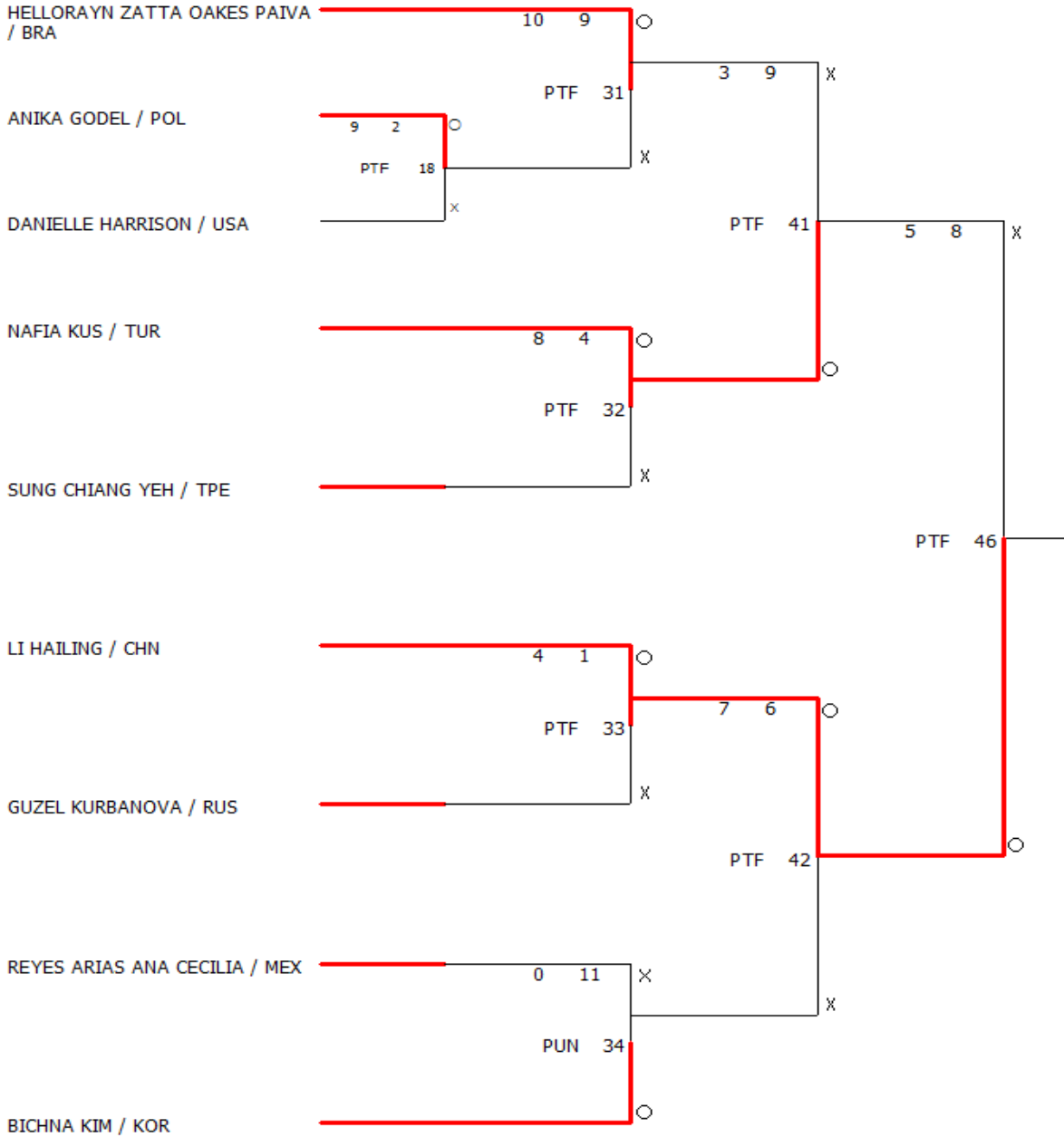


Signature: _____



第十三届世界大学生跆拳道锦标赛

The 13th World University Taekwondo Championships
Female/+73kg



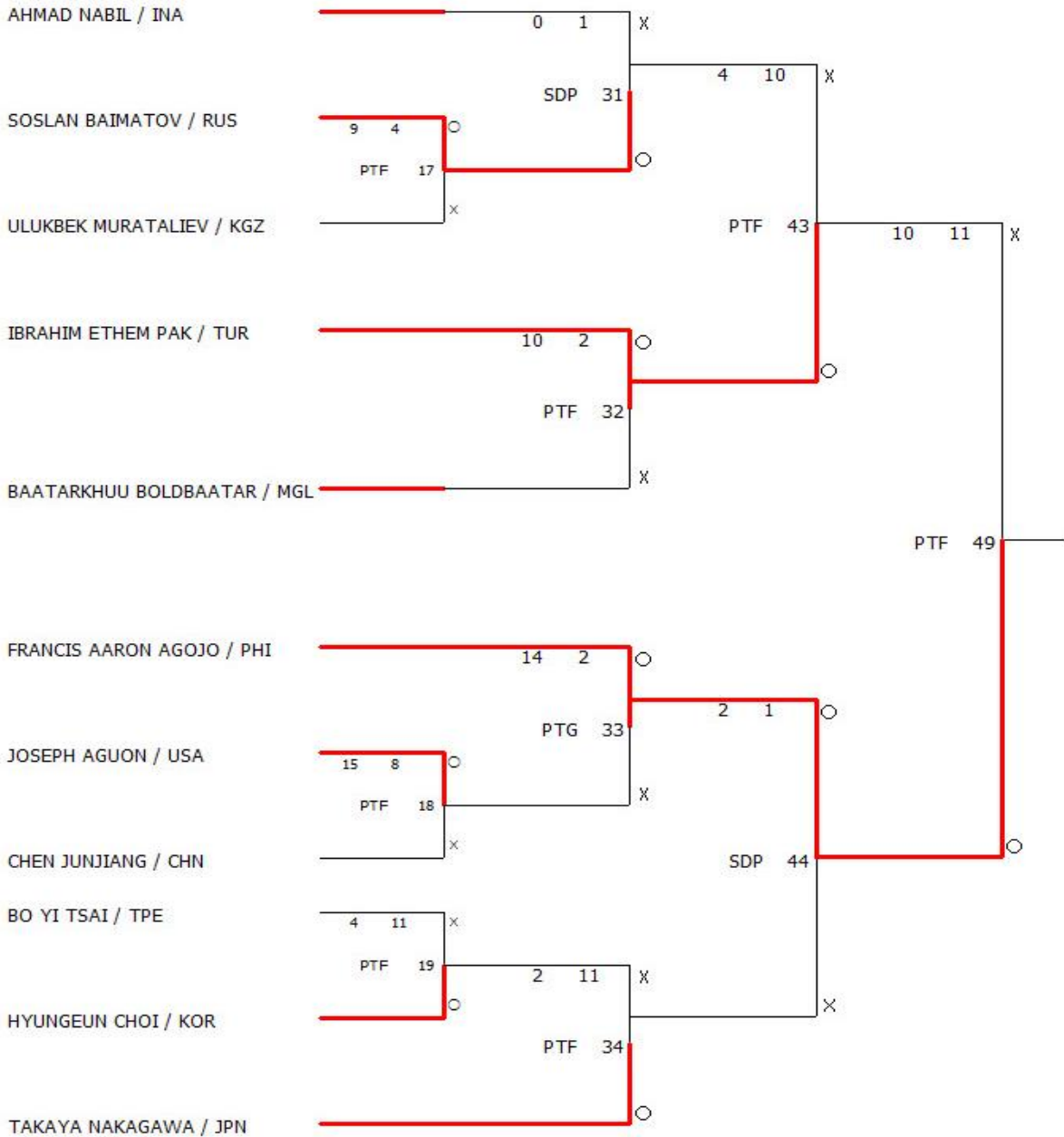
Signature: _____



第十三届世界大学生跆拳道锦标赛

The 13th World University Taekwondo Championships

Male/-54kg



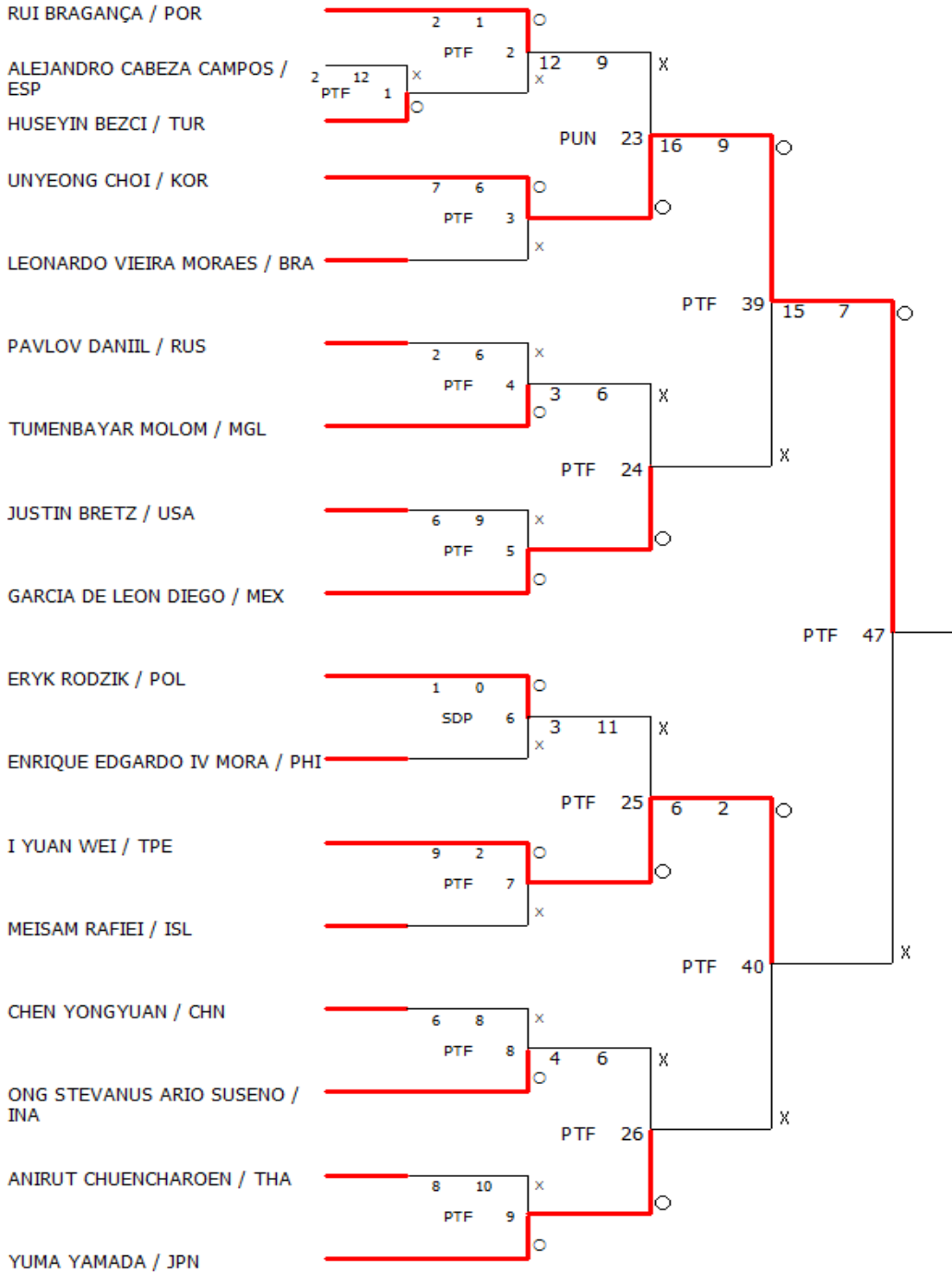
Signature: _____



第十三届世界大学生跆拳道锦标赛

The 13th World University Taekwondo Championships

Male/-58kg



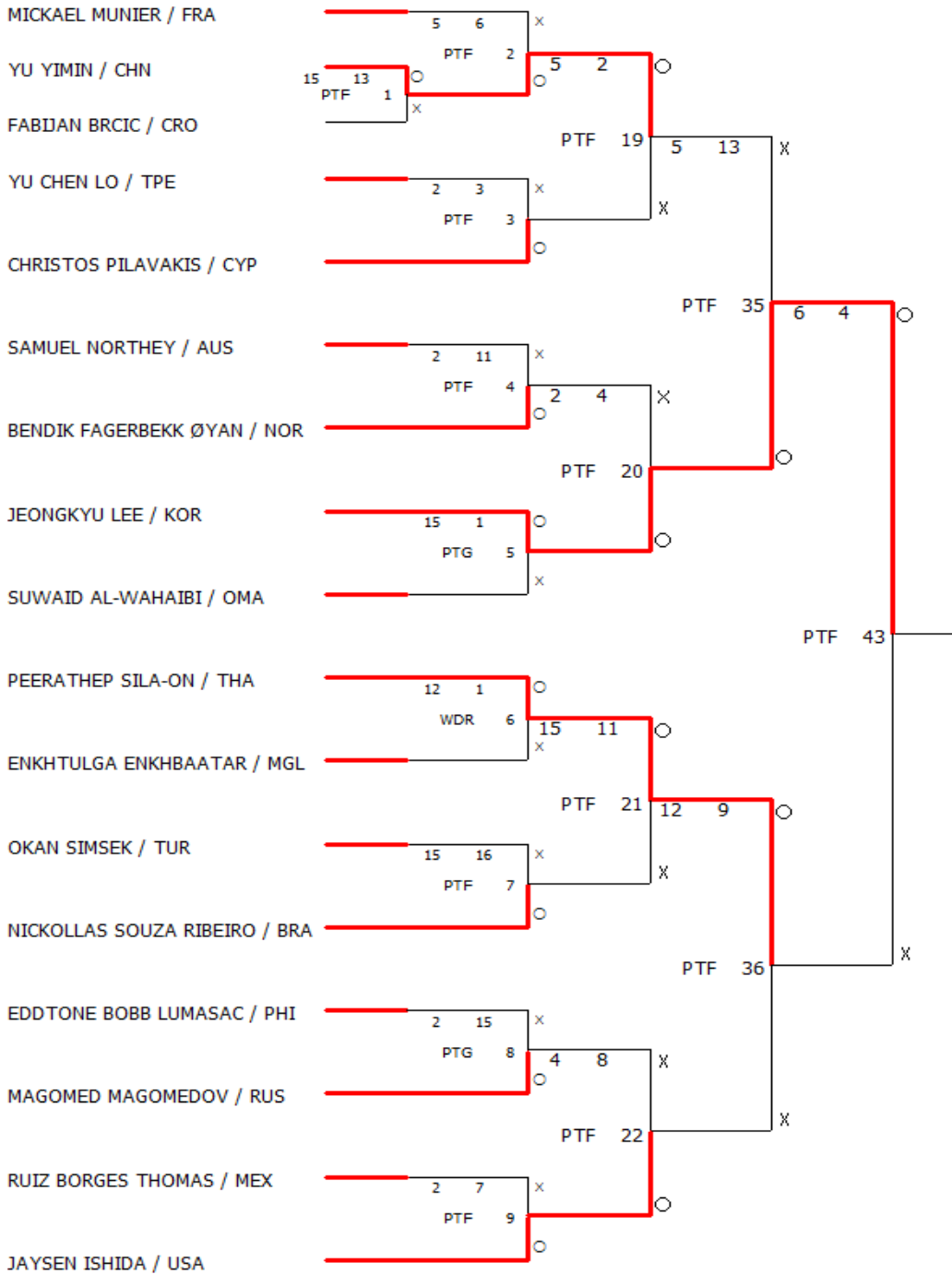
Signature: _____



第十三届世界大学生跆拳道锦标赛

The 13th World University Taekwondo Championships

Male/-74kg



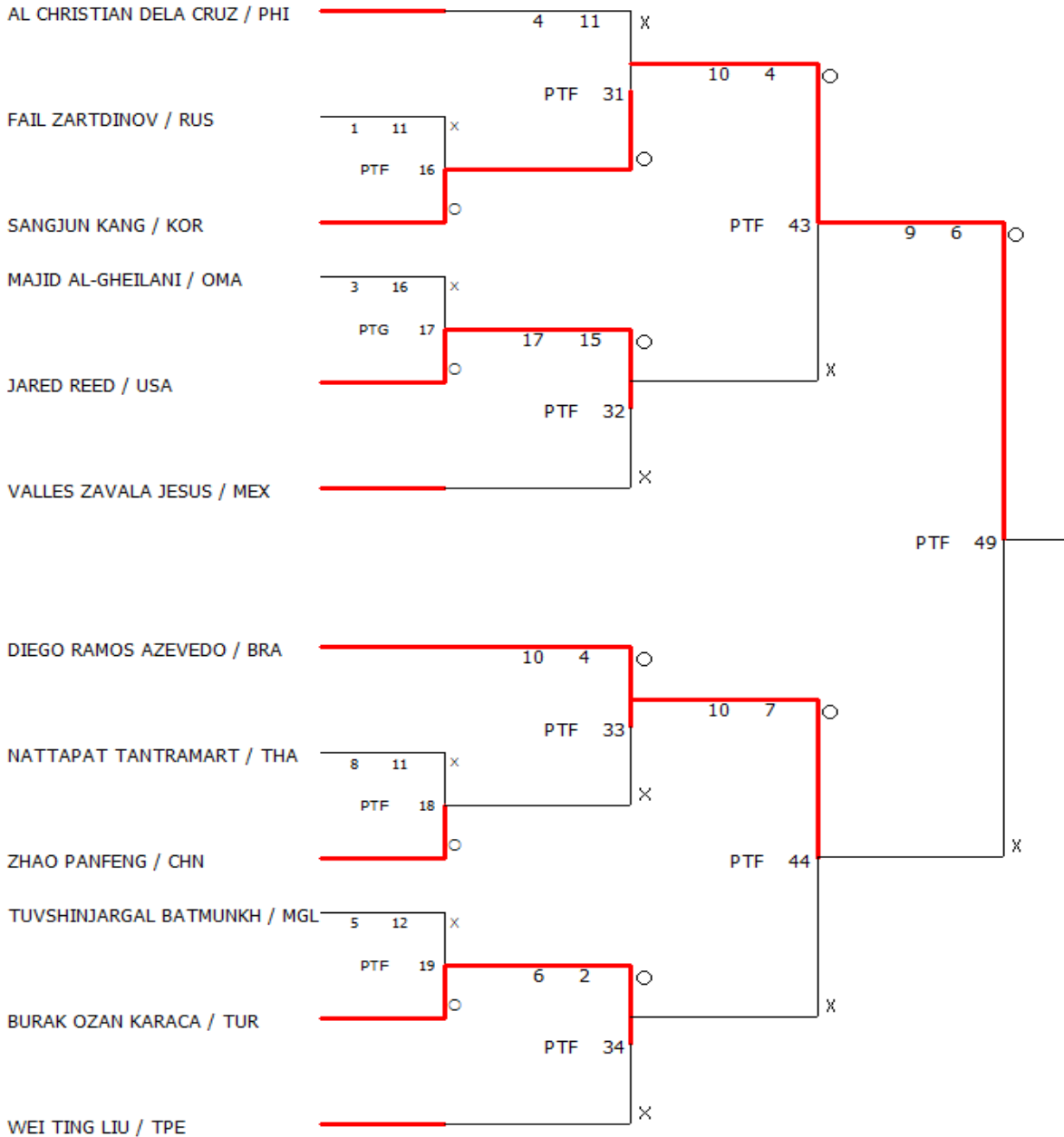
Signature: _____



第十三届世界大学生跆拳道锦标赛

The 13th World University Taekwondo Championships

Male/-80kg



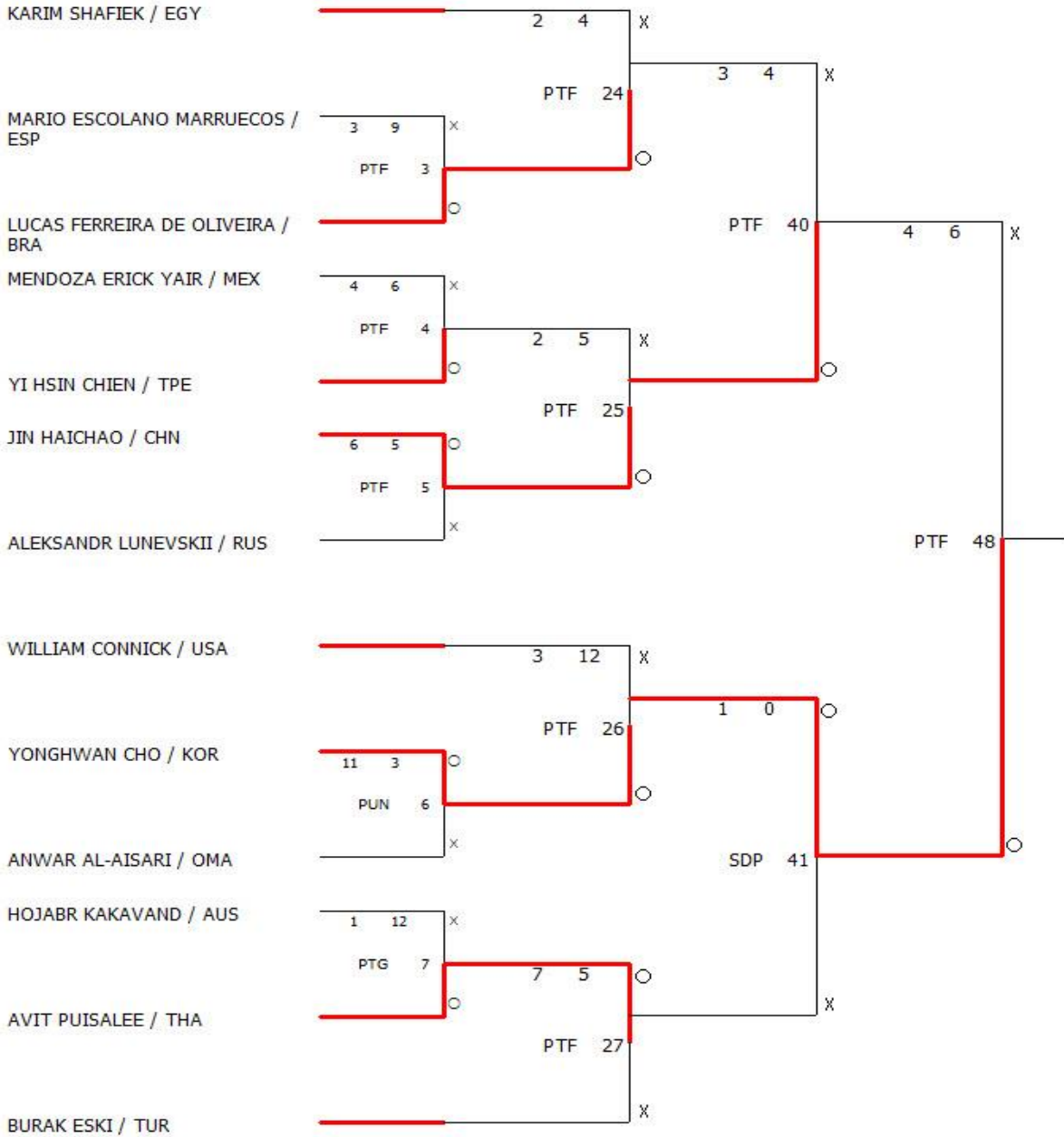
Signature: _____



第十三届世界大学生跆拳道锦标赛

The 13th World University Taekwondo Championships

Male/-87kg

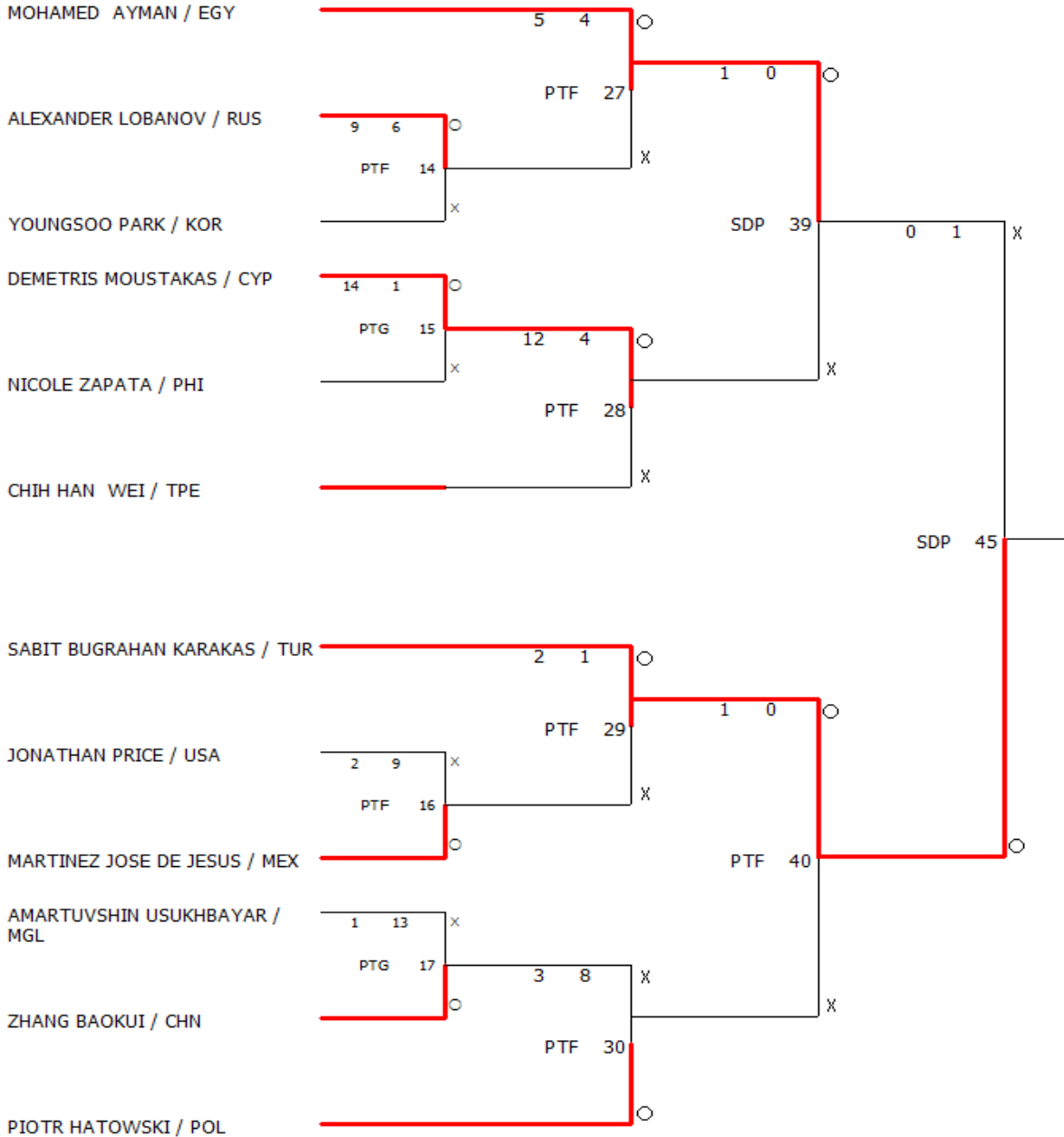


Signature: _____



第十三届世界大学生跆拳道锦标赛

The 13th World University Taekwondo Championships
Male/+87kg

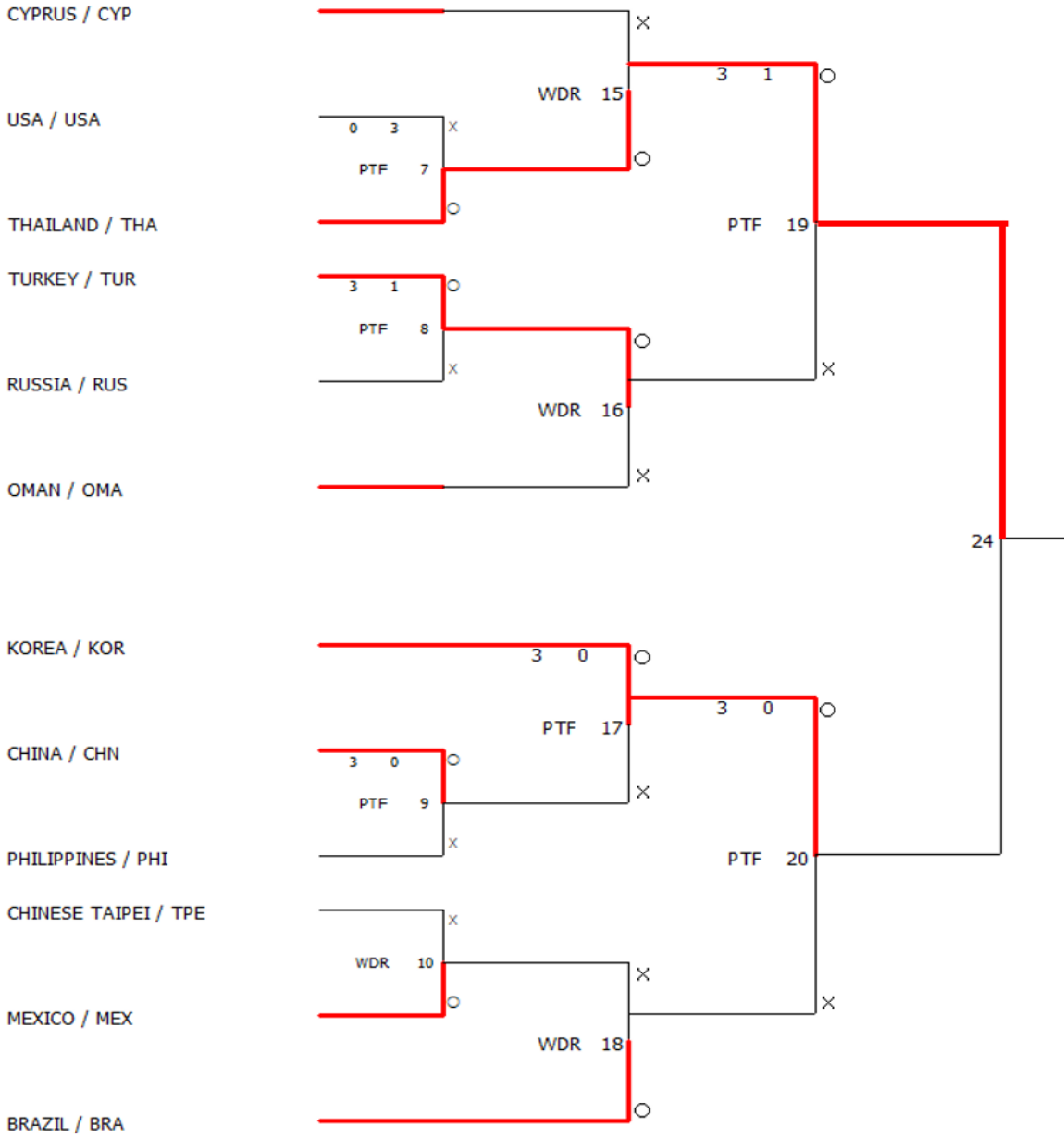


Signature: _____



第十三届世界大学生跆拳道锦标赛

The 13th World University Taekwondo Championships Team / Female

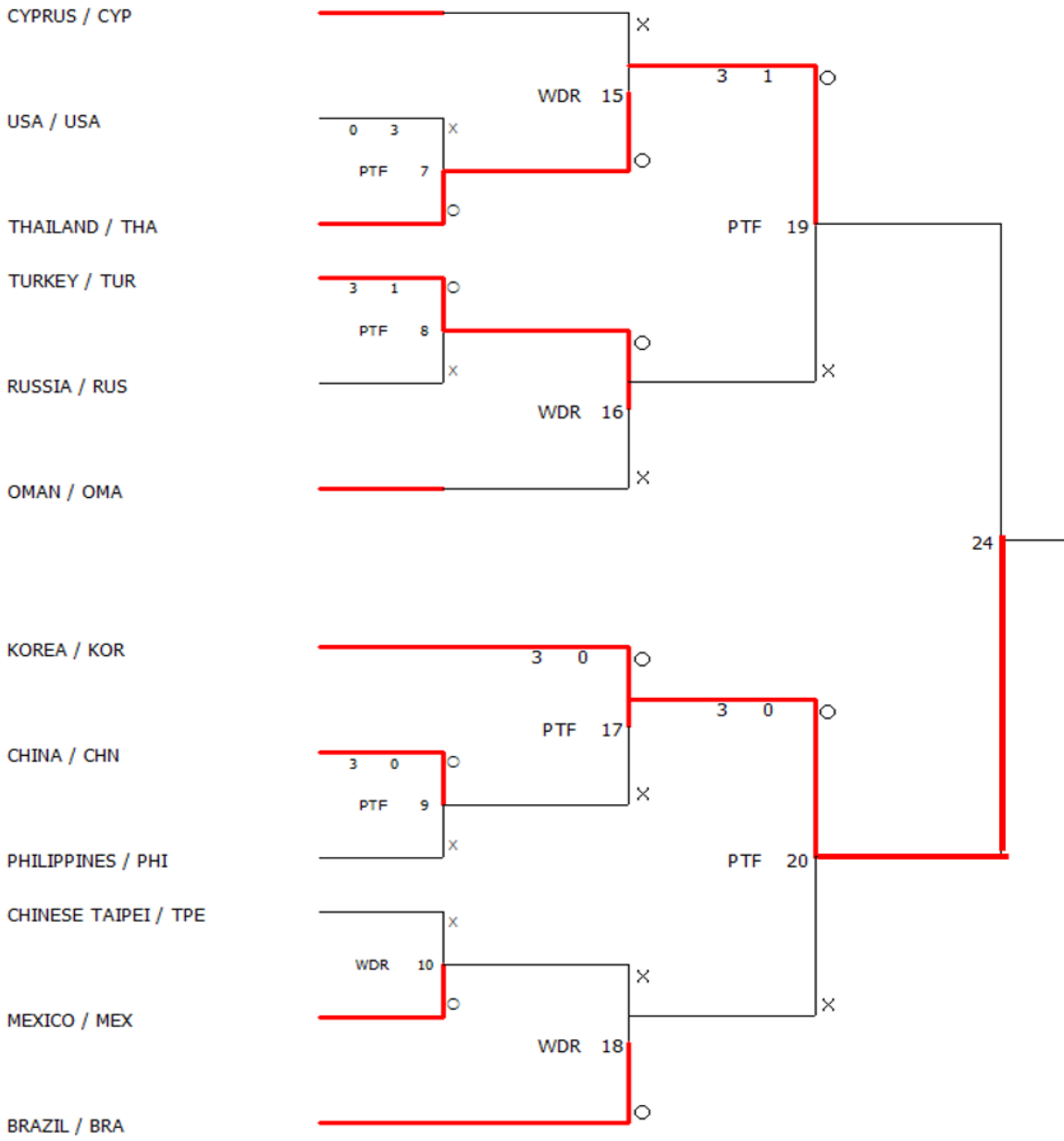


Signature: _____



第十三届世界大学生跆拳道锦标赛

The 13th World University Taekwondo Championships Team / Female

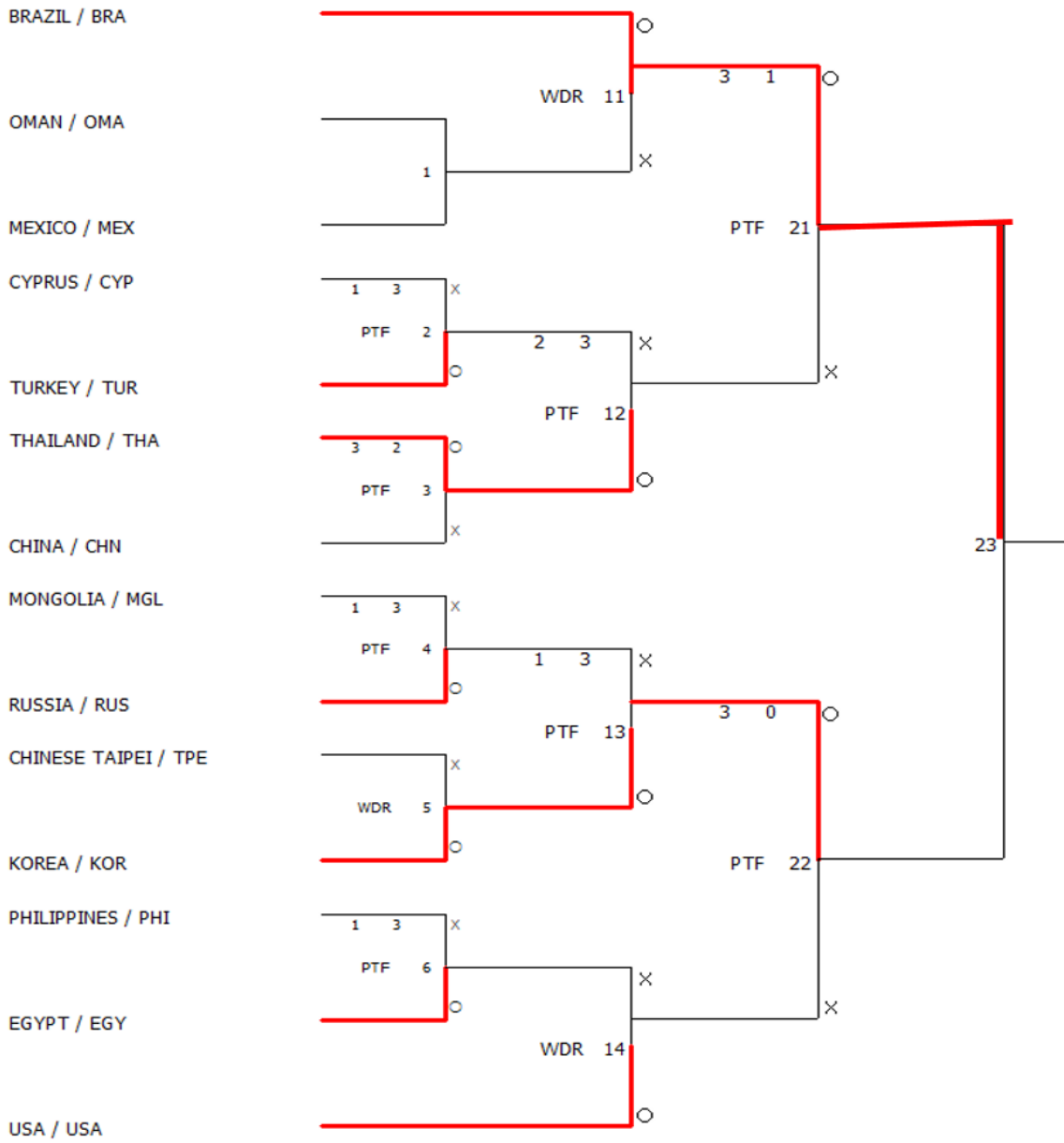


Signature: _____



第十三届世界大学生跆拳道锦标赛

The 13th World University Taekwondo Championships Team / Male

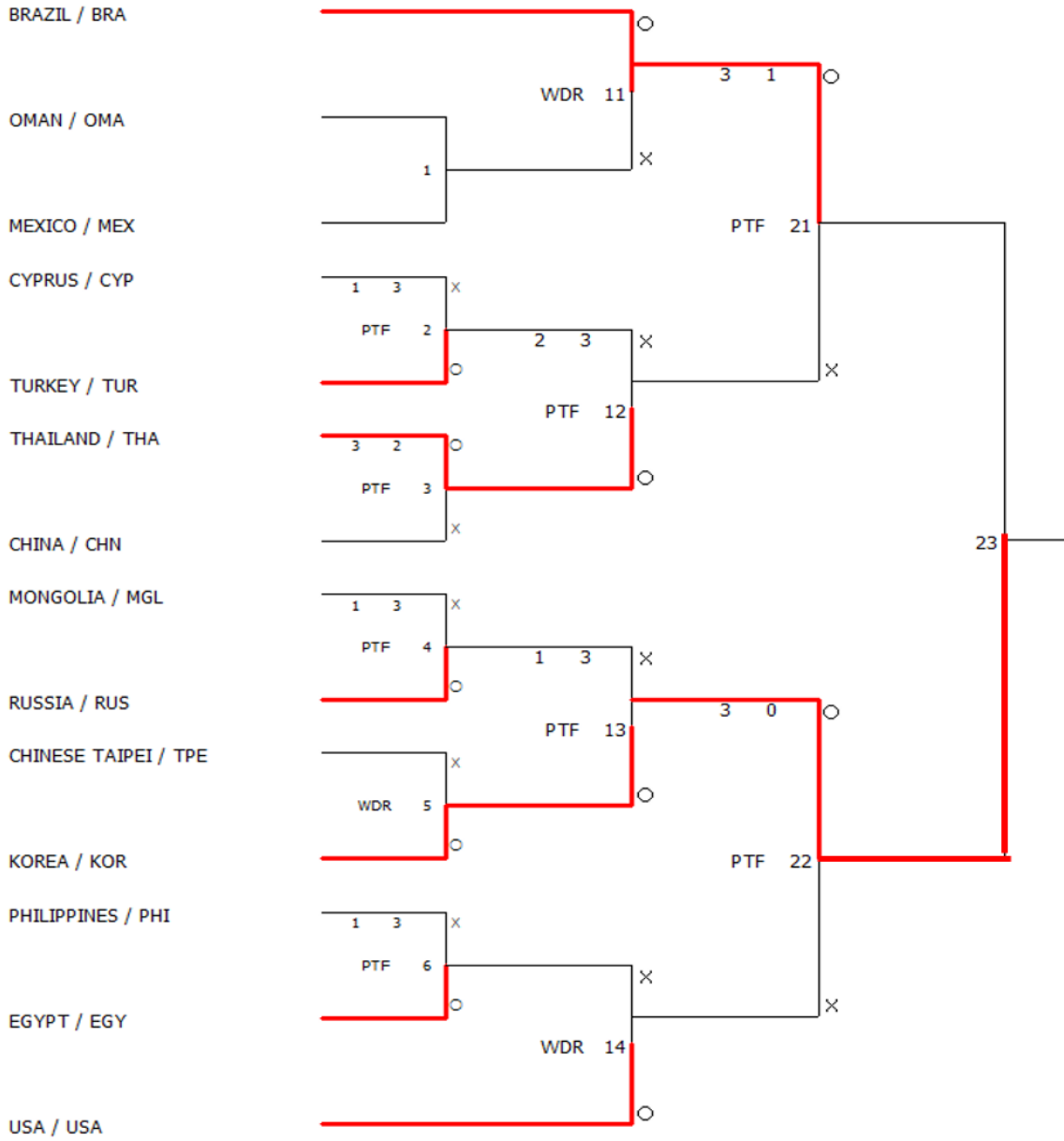


Signature: _____



第十三届世界大学生跆拳道锦标赛

The 13th World University Taekwondo Championships Team / Male



Signature: _____



第十三届世界大学生跆拳道锦标赛

The 13th World University Taekwondo Championships

Recognized Poomsae Individual F Under 27

Semi-Final Results

Rank	No	NOC	NAME	Score	Total	Pre	Acc	G.1st	G.2nd
1	10	CHN	XIA YU	7.317	36.1	20.6	15.5	7.367	7.267
2	4	THA	SALISA AMNUAYCHAI	7.15	35.65	20.5	15.15	7.2	7.1
3	7	TPE	YING HSIAN LEE	7.05	35	19.95	15.05	7.033	7.066
4	9	KOR	YOU LEE CHOI	7.017	35.3	20.15	15.15	6.9	7.134
5	8	PHI	JUVENILE FAYE CRISOSTOMO	6.75	33.85	19.2	14.65	6.7	6.8
6	5	USA	THANH-VAN HUYNH	6.734	33.55	19	14.55	6.6	5.867
7	3	GER	FRANZISKA SCHNEEGANS	6.683	33.55	19.25	14.1	6.633	6.733
8	11	INA	DEFIA ROSMANIAR	6.667	33.55	19.05	14.3	6.466	6.867
9	2	AUS	JESSICA MORO	6.484	32.65	18.9	13.75	6.4	6.567
10	6	EGY	SALMA, MOKA	5.634	28.4	16	12.4	5.667	5.6
11	1	OMA	NOOR AL BALUSHI		0	0	0		

Signature: _____



第十三届世界大学生跆拳道锦标赛

The 13th World University Taekwondo Championships

Recognized Poomsae Individual F Under 27

Final Results

Rank	No	NOC	NAME	Score	Total	Pre	Acc	G.1st	G.2nd
1	8	CHN	XIA YU	7.55	37.85	22.3	15.55	7.533	7.566
2	7	THA	SALISA AMNUAYCHAI	7.434	37	21.7	15.3	7.367	7.5
3	5	KOR	YOU LEE CHOI	7.267	36.55	21.7	14.85	7.133	7.4
3	4	PHI	JUVENILE FAYE CRISOSTOMO	7.117	35.4	20.9	14.5	7.066	7.167
5	6	TPE	YING HSIAN LEE	7.084	35.4	20.65	14.75	6.967	7.2
5	1	INA	DEFIA ROSMANIAR	7.017	34.8	20.55	14.25	6.9	7.133
5	3	USA	THANH-VAN HUYNH	7	34.8	20.05	14.75	6.967	7.033
5	2	GER	FRANZISKA SCHNEEGANS	6.933	34.75	20.25	14.5	6.933	6.933

Signature: _____



第十三届世界大学生跆拳道锦标赛

The 13th World University Taekwondo Championships

Recognized Poomsae Individual M Under 27

Semi-Final Results

Rank	No	NOC	NAME	Score	Total	Pre	Acc	G.1st	G.2nd
1	5	CHN	ZHU YUXIANG	6.933	34.6	20.2	14.4	7.033	6.833
2	10	KOR	HANDONG YUN	6.867	34.25	19.55	14.7	7.033	6.7
3	8	INA	MAULANA HAIDIR	6.733	33.4	19.2	14.2	6.766	6.7
4	4	THA	KANAWAT SUKCHAROEN	6.667	32.55	18.95	13.6	6.733	6.6
5	1	TPE	CHU SHENG LU	6.567	32.75	18.95	13.8	6.5	6.634
6	3	AUS	HYUN WOONG YANG	6.3	31.45	18.4	13.05	6.167	6.433
7	2	USA	KODY HAN	6.217	31.25	17.9	13.35	6.166	6.267
8	9	PHI	VIDAL MARVIN GABRIEL	6.117	30.65	18.05	12.6	6.333	5.9
9	11	EGY	SHEHABELDIN ANTER	5.9	29.25	17.3	11.95	5.967	5.833
10	6	GER	TRIUMF BEHA	5.85	29.2	17.55	11.65	6	5.7
11	7	POL	KAMIL ZABOST	5.133	25.75	15.95	9.8	5.233	5.033

Signature: _____



第十三届世界大学生跆拳道锦标赛

The 13th World University Taekwondo Championships

Recognized Poomsae Individual M Under 27

Final Results

Rank	No	NOC	NAME	Score	Total	Pre	Acc	G.1st	G.2nd
1	7	KOR	HANDONG YUN	7.966	39.6	23.1	16.5	7.966	7.966
2	8	CHN	ZHU YUXIANG	7.884	39.7	23	16.7	7.9	7.867
3	6	INA	MAULANA HAIDIR	7.634	37.9	21.85	16.05	7.667	7.6
3	5	THA	KANAWAT SUKCHAROEN	7.384	36.95	21.35	15.6	7.334	7.434
5	1	PHI	VIDAL MARVIN GABRIEL	7.35	36.95	21.25	15.7	7.233	7.466
5	4	TPE	CHU SHENG LU	7.284	36.7	21	15.7	7.2	7.367
5	2	USA	KODY HAN	7.167	36.1	20.6	15.5	7.167	7.166
5	3	AUS	HYUN WOONG YANG	7.134	35.7	20.7	15	7.167	7.1

Signature: _____



第十三届世界大学生跆拳道锦标赛

The 13th World University Taekwondo Championships

Recognized Poomsae Mixed Pair Under 27

Semi-Final Results

Rank	No	NOC	NAME	Score	Total	Pre	Acc	G.1st	G.2nd
1	1	CHN	ZHU YUXIANG XIA YU	7.583	37.85	22.15	15.7	7.5	7.666
2	10	KOR	HYOSEOK CHOI YEOWON GWAK	7.384	36.65	21.7	14.95	7.267	7.5
3	4	THA	KANAWAT SUKCHAROEN SALISA AMNUAYCHAI	7.117	35.5	21.1	14.4	7.1	7.133
4	5	INA	MAULANA HAIDIR DEFIA ROSMANIAR	6.95	34.95	20.8	14.15	6.866	7.033
5	2	TPE	CHENG GANG LI YI HSUAN CHEN	6.9	34.75	20.7	14.05	6.633	7.166
6	6	PHI	DUSTIN JACOB MELLA JUVENILE FAYE CRISOSTOMO	6.85	34.3	20.55	13.75	6.7	7
7	9	GER	TRIUMF BEHA FRANZISKA SCHNEEGANS	6.634	33.05	19.35	13.7	6.367	6.9
8	8	AUS	HYUN WOONG YANG JESSICA MORO	6.617	33	19.9	13.1	6.533	6.7

Signature: _____



第十三届世界大学生跆拳道锦标赛

The 13th World University Taekwondo Championships

Recognized Poomsae Mixed Pair Under 27

Final Results

Rank	No	NOC	NAME	Score	Total	Pre	Acc	G.1st	G.2nd
1	8	CHN	ZHU YUXIANG XIA YU	7.734	38.5	22.85	15.65	7.767	7.7
2	7	KOR	HYOSEOK CHOI YEOWON GWAK	7.634	38.45	22.6	15.85	7.6	7.667
3	4	TPE	CHENG GANG LI YI HSUAN CHEN	7.35	36.75	21.7	15.05	7.233	7.466
3	6	THA	KANAWAT SUKCHAROEN SALISA AMNUAYCHAI	7.317	36.5	21.2	15.3	7.3	7.333
5	3	PHI	DUSTIN JACOB MELLA JUVENILE FAYE CRISOSTOMO	7.2	35.9	21.1	14.8	7.166	7.233
5	5	INA	MAULANA HAIDIR DEFIA ROSMANIAR	7.167	36.3	21.45	14.85	7.167	7.167
5	1	AUS	HYUN WOONG YANG JESSICA MORO	7.117	35.7	21.2	14.5	7.067	7.167
5	2	GER	TRIUMF BEHA FRANZISKA SCHNEEGANS	6.617	33.55	20.05	13.5	6.633	6.6

Signature: _____



第十三届世界大学生跆拳道锦标赛

The 13th World University Taekwondo Championships

Recognized Poomsae Team F Under 27

Final Results

Rank	No	NOC	NAME	Score	Total	Pre	Acc	G.1st	G.2nd
1	1	KOR	HANBYEOL KIM etc.	7.867	39.25	23.05	16.2	7.834	7.9
2	5	CHN	XIA YU etc.	7.75	38.7	23	15.7	7.634	7.866
3	7	PHI	JUVENILE FAYE CRISOSTOMO etc.	7.567	37.4	22.4	15	7.533	7.6
3	2	TPE	HSIANG TING CHEN etc.	7.45	37.2	22.25	14.95	7.233	7.667
5	4	USA	MICHELLE CHEN etc.	6.767	33.85	19.65	14.2	6.666	6.867
5	3	AUS	MADDISON HOUSTON etc.	6.734	33.5	19.75	13.75	6.667	6.8
5	6	EGY	SALMA MOKA etc.	6.484	32.2	19.2	13	6.333	6.634

Signature: _____



第十三届世界大学生跆拳道锦标赛

The 13th World University Taekwondo Championships

Recognized Poomsae Team M Under 27

Final Results

Rank	No	NOC	NAME	Score	Total	Pre	Acc	G.1st	G.2nd
1	6	CHN	ZHU YUXIANG etc.	7.8	39.05	23.15	15.9	7.967	7.633
2	5	KOR	YEONGU KIM etc.	7.651	38.2	22.6	15.6	7.734	7.567
3	3	TPE	WEI CHIEH CHANG etc.	7.551	37.55	22.65	14.9	7.534	7.567
3	4	INA	M.FAZZA FITRAH etc.	7.3	36.6	21.8	14.8	7.267	7.333
5	1	PHI	VIDAL MARVIN GABRIEL etc.	7.25	36.05	21.55	14.5	7.2	7.3
5	8	USA	ALBERT JONG etc.	7.084	35.5	20.35	15.15	7.1	7.067
5	2	EGY	ABDALLA MAREY etc.	6.75	33.8	20.05	13.75	6.8	6.7
5	7	AUS	KYLE KNOWLES etc.	6.45	32.15	19.45	12.7	6.5	6.4

Signature: _____